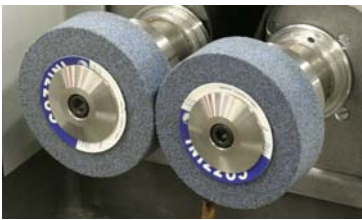


# TWINS™ SHARPENING SYSTEM



**PRIME**Edge®

COZZINI CUTTING EDGES  
AND SHARPENING SOLUTIONS



HE4 Honing stones



HG4S Grinding stones

## TWINS™ SHARPENING SYSTEM

- Consists of identically sized HG4S Hollow Grinder and HE4 Honer/Edger units.
- System can sharpen up to 400 blades per day.
- Sharpens blades up to 10" (254 mm) long.
- Unique spiral-shaped honing/edging stone design assures consistent, smooth, sharp edges.
- Recirculating liquid coolant system provides burn-free and dust-free operation.
- Integrated stone dressing system maintains roundness of the stones for perfect, consistent, sharp edges.
- CE approved.

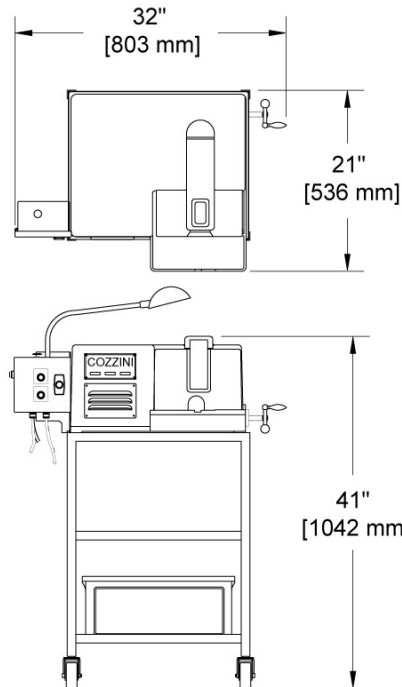
# TWINS™ SHARPENING SYSTEM

Ideal for medium-volume processors and sharpening services, the efficient Cozzini “Twins” Sharpening System utilizes separate hollow grinding and honing/edging units. Known around the world, the Twins have earned their reputation for safe, economical and low-maintenance operation.

The 4” (102 mm) stones on the hollow grinder unit thin both sides of the blade simultaneously. The operator checks the blade thickness with a built-in gage to determine if it has been sufficiently thinned for edging. After thinning, the honing/edging stones apply a beveled edge on both sides of the blade simultaneously. The blade bevel angle can be adjusted as needed.

Each unit consists of a cast aluminum body housed under a durable, easy-to-clean, fiberglass cover. The ergonomic design of the Twins provides operator comfort and safety. An adjustable, pivoting lamp can be oriented in different positions for excellent visibility while sharpening blades. Each unit also comes with a cart for easy portability.

For a precise cutting edge every time, trust the proven Twins Sharpening System from Cozzini.



TWINS™ KNIFE SHARPENING SYSTEM				
<i>Model</i>	<i>Voltage</i>	<i>Frequency</i>	<i>HP</i>	<i>kW</i>
Hollow Grinder	115 V	50 or 60 Hz	1/2	.38
	220 V			
Honer/Edger	115 V		1/3	.25
	220 V			

10/05 E

WORLD HEADQUARTERS Cozzini, Inc.  
4300 West Bryn Mawr Avenue Chicago, IL 60646-5943 U.S.A.

**COZZINIGROUP**  
COMPLETE FOOD EQUIPMENT SOLUTIONS

WORLDWIDE REPRESENTATION | 773.478.9700 | COZZINI.COM | SALES@COZZINI.COM