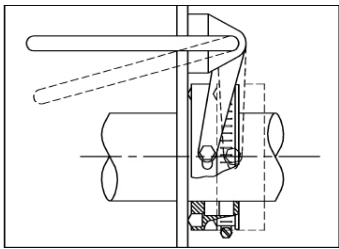


INCLINED SCREW LOADER



PrimeMove™
COZZINI MATERIAL HANDLING SYSTEMS



Watertight shaft seals

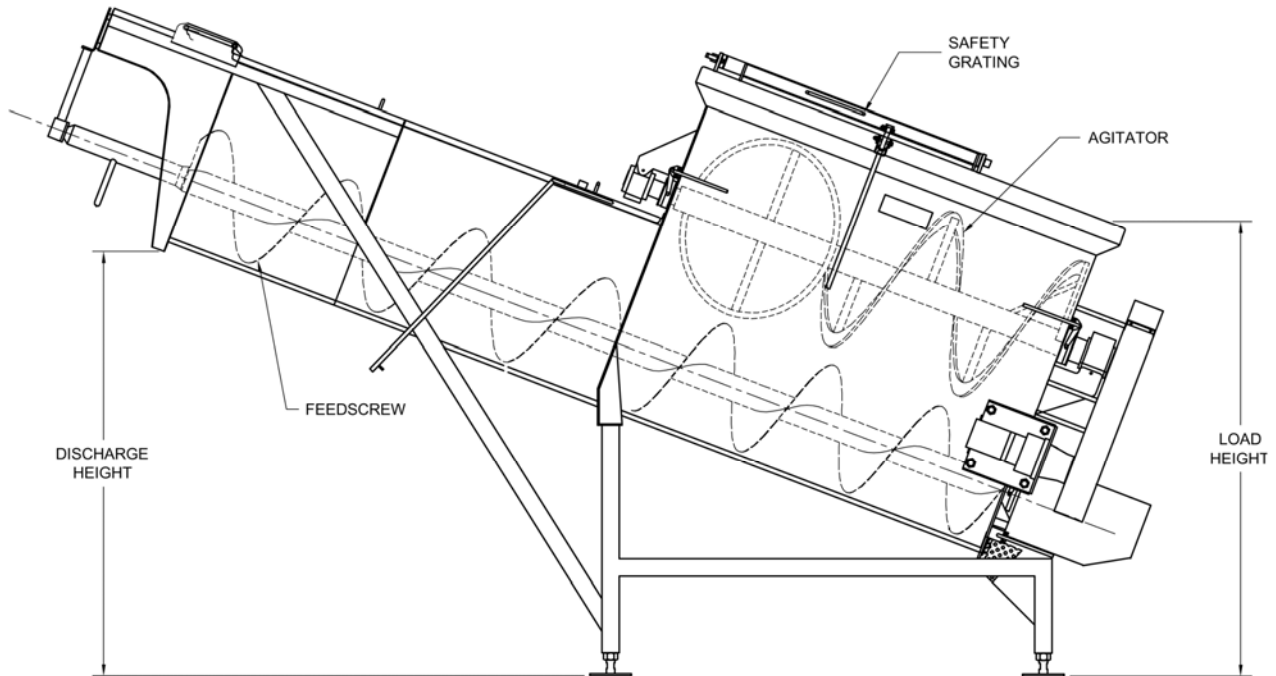
INCLINED SCREW LOADER

- Unique, quick-release, watertight shaft seals for full washdown sanitation.
- Heavy duty, stainless feedscrew auger is available in diameters from Ø9" (230 mm) to 20" (500 mm).
- Wide range of hopper sizes, discharge angles and heights custom-made to your requirements.
- CSL units available in capacities ranging from 2000 lbs. (900 kg) to 8000 lbs. (3600 kg).
- Optional agitator is available to prevent bridging of product.
- USDA accepted and CE approved. Built in conformity with AMI sanitary equipment design principles.

INCLINED SCREW LOADER

Cozzini Screw Loaders (CSL) are ideal for storing and transferring products from dumpers, mixers, conveyors and other sources.

The heavy-duty inclined screw loader utilizes a feedscrew that discharges directly onto various ancillary systems.



Shown with optional agitator

10/05 E

WORLD HEADQUARTERS Cozzini, Inc.
4300 West Bryn Mawr Avenue Chicago, IL 60646-5943 U.S.A

COZZINIGROUP
COMPLETE FOOD EQUIPMENT SOLUTIONS

WORLD REPRESENTATION • 773 478-9700 • www.cozzini.com • sales@cozzini.com